

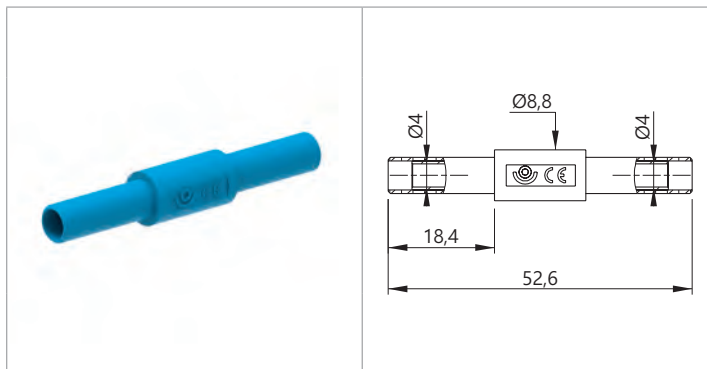


Ø4 ACCESSORIES • ACCESSOIRES Ø4 • Ø4 MESSZUBEHÖR

Adapters / Couplers • Adaptateurs / Coupleurs • Adapter / Kupplungen

3310

ADAPTER Ø4MM FEMALE / Ø4MM FEMALE
ADAPTATEUR FEMELLE Ø4MM / FEMELLE Ø4MM
 VERBINDUNGSKUPPLUNG Ø4MM BUCHSE / Ø4MM BUCHSE



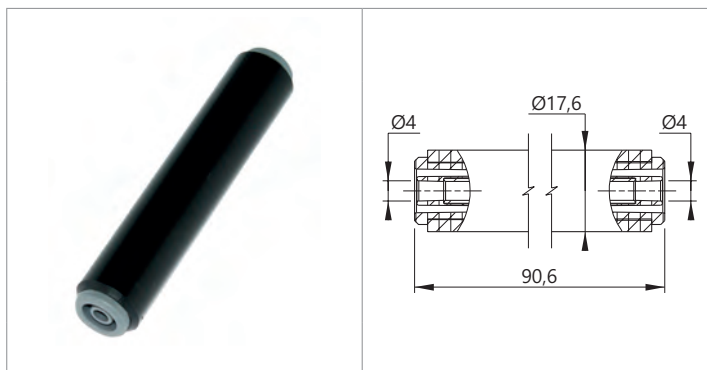
Reference
 Référence
 Bestell-Nr **3310-IEC-#**

Rated voltage Tension assignée Bemessungsspannung	Rated current Intensité assignée Bemessungsstrom	Contact parts Contacts Kontaktteile	Insulation Isolant Isolierteile	Colours [#] Couleurs [#] Farben [#]												
1000 V CAT III	36A	Ni coated brass Laiton nickelé Messing vernickelt	PP	<table border="1"> <tr> <td>R</td><td>N</td><td>BL</td><td>V</td><td>J</td><td>BC</td> </tr> <tr> <td>2</td><td>0</td><td>6</td><td>5</td><td>4</td><td>9</td> </tr> </table>	R	N	BL	V	J	BC	2	0	6	5	4	9
R	N	BL	V	J	BC											
2	0	6	5	4	9											

x10

3380

ADAPTER Ø4MM FEMALE / Ø4MM FEMALE
ADAPTATEUR FEMELLE Ø4MM / FEMELLE Ø4MM
 VERBINDUNGSKUPPLUNG Ø4MM BUCHSE / Ø4MM BUCHSE



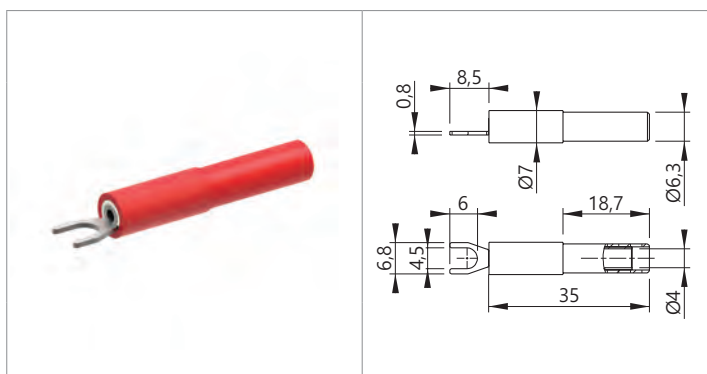
Reference
 Référence
 Bestell-Nr **3380-IECIV-#**

Rated voltage Tension assignée Bemessungsspannung	Rated current Intensité assignée Bemessungsstrom	Contact parts Contacts Kontaktteile	Insulation Isolant Isolierteile	Colours [#] Couleurs [#] Farben [#]												
1000 V CAT IV	36A	Ni coated brass Laiton nickelé Messing vernickelt	PA6.6 - PVC	<table border="1"> <tr> <td>R</td><td>N</td><td>BL</td><td>V</td><td>J</td><td>BC</td> </tr> <tr> <td>2</td><td>0</td><td>6</td><td>5</td><td>4</td><td>9</td> </tr> </table>	R	N	BL	V	J	BC	2	0	6	5	4	9
R	N	BL	V	J	BC											
2	0	6	5	4	9											

x10

Ada3032

ADAPTER NARROW FORK / Ø4MM FEMALE
ADAPTATEUR FOURCHE ÉTROITE / FEMELLE Ø4MM
 KABELSCHUH-ADAPTER SCHMALE GABELFORM / Ø4MM BUCHSE



Reference
 Référence
 Bestell-Nr **Ada3032-#**

Rated voltage Tension assignée Bemessungsspannung	Rated current Intensité assignée Bemessungsstrom	Contact parts Contacts Kontaktteile	Insulation Isolant Isolierteile	Colours [#] Couleurs [#] Farben [#]												
≤30VAC ≤60VDC	36A	Ni coated brass Laiton nickelé Messing vernickelt	PA6	<table border="1"> <tr> <td>R</td><td>N</td><td>BL</td><td>V</td><td>J</td><td>BC</td> </tr> <tr> <td>2</td><td>0</td><td>6</td><td>5</td><td>4</td><td>9</td> </tr> </table>	R	N	BL	V	J	BC	2	0	6	5	4	9
R	N	BL	V	J	BC											
2	0	6	5	4	9											

x10