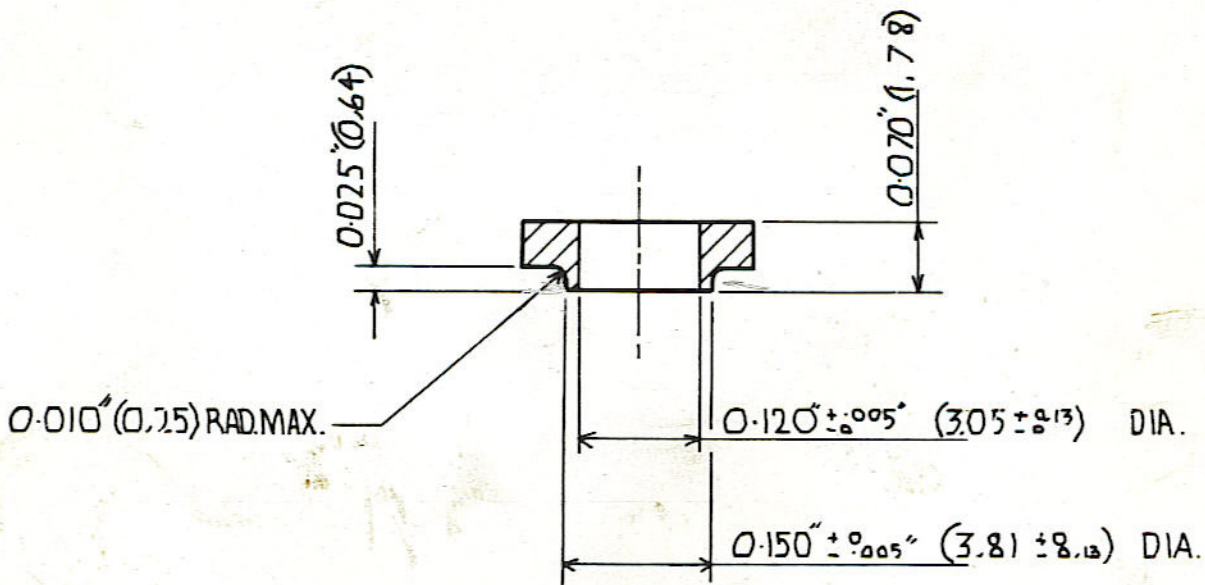
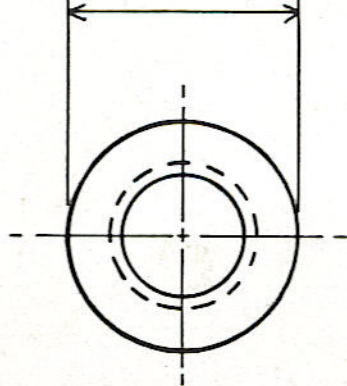


0.232 ± 0.008" (5.89 ± 0.20) DIA.



SUITABLE FOR USE WITH SCREW SIZES, 6BA., 4-40 U.N.C. AND METRIC M3.

DATE	ISS.	REVISION	SIG.	JERMYN CODE	PIECE PART NO	MAT ^{ls}
11.6.81	A	C.N. N° 273.		A 1218	P22-1218	A 11408
				MATERIAL SEE TABLE	FINISH NATURAL	
				TOLERANCE ± 0.005" (0.13) U.D.S.	DRAWN	CJ
					TRACED	
TITLE INSULATING BUSH				SCALE: 5:1	CHECKED	
				DIMS. INCHES (mm)	DATE	30/1/78
Jermyn Manufacturing				Sevenoaks Kent Telephone Sevenoaks (0732) 58271 Telegrams Jermyn Sevenoaks Telex 95142		DRG. No.
						A22 1218