

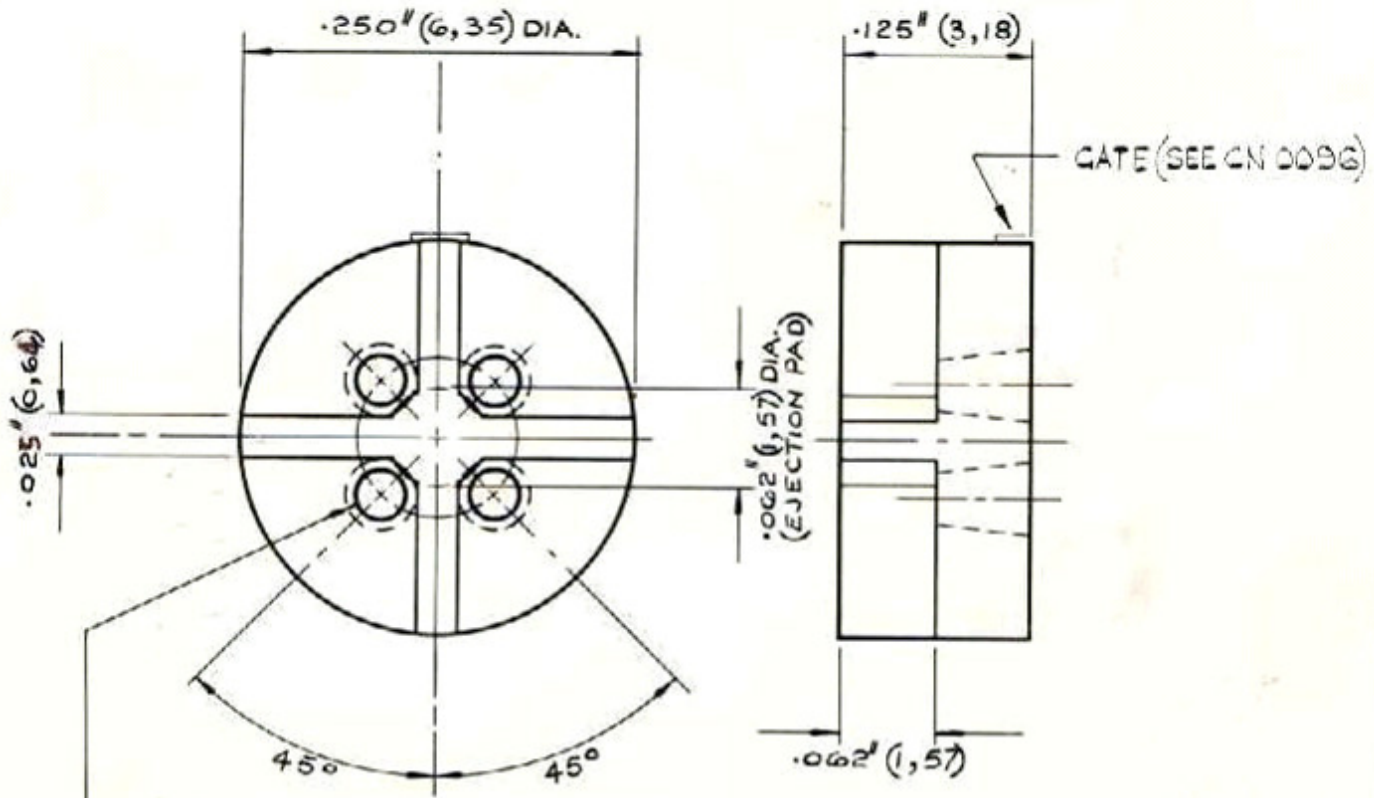
DRG. No.

FOR EXPLANATION OF DIMENSIONING, ETC. SEE B.S.308

A18 1002

THIRD ANGLE PROJECTION

1° DRAFT ANGLE ON ALL VERTICAL SURFACES AND HOLES FOR EASE OF EJECTION.



4 HOLES .035" (0,89) DIA.  
ON .100" (2,54) P.C.D.  
HOLES TAPERING TO .047" (1,19) DIA. AS SHOWN.

PT No.	RAT No	MATL.
T018-002P	J18-1002P	A1407
T018-002D	J18-1002D	A1406

DATE	ISS.	REVISION	SIG.
30-1-74	C	RE DRAWN TO SUIT TOOLING	B.L
14-1-77	D	MATERIAL AMENDED	AF.
28-2-78	E	New No	MS.
4-1-79	F	CN NP 0096	RN
28-9-11	G	.025" (0.64) WAS .027" (0.69)	AE

MATERIAL	FINISH
See table	
TOLERANCE	DRAWN
± .005" (0,13) U.O.S.	B. LANE
	TRACED
	CHECKED
SCALE:	DATE
8 : 1	30-1-74
DIMS. INCHES (mm)	

TITLE TRANSISTOR PAD

**Jermyn Manufacturing**

Sevenoaks Kent  
Telephone Sevenoaks (0732) 58271  
Telegrams Jermyn Sevenoaks  
Telex 95142

DRG. No.  
A18 1002