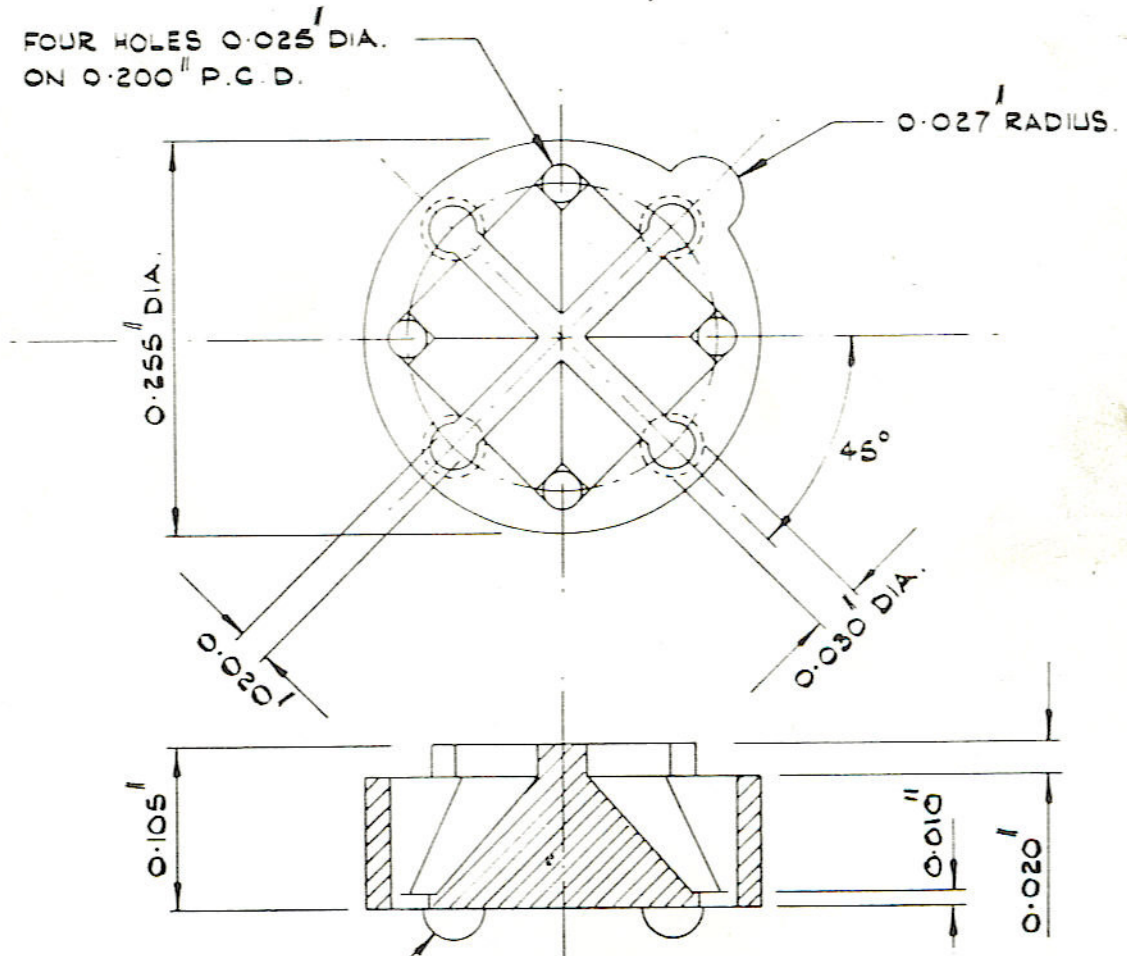


T0518004D

DRG. No. A58-1004

FOR EXPLANATION OF DIMENSIONING, ETC. SEE B.S.308  
 REMOVE ALL BURRS & SHARP EDGES.  
 A RADIUS OR CHAMFER .02 (MAX.) IS PERMITTED IN CORNERS  
 OF BLIND HOLES, RECESSES & STEPS.

THIRD ANGLE PROJECTION



FOUR 0.040" DIA. SPHERICAL FEET ON 0.200" P.C.D.

PART No	RAT PT No	MATL.
T0518-004D	J58-1004D	A1406

DATE	CHANGES	
6.11.69.	A	TYPE T0518-004 WAS A21-2003
19.1.77	B	MATERIAL AMENDED AF
28.2.78	C	New No NS

TOLERANCE	DRAWN	R NUNN
±0.005"	TRACED	
MATERIAL	CHECKED	
	DATE	10.12.68.

TITLE	TRANSISTOR MOUNTING PAD	SCALE: 8 : 1	DRG. No.
		DIMS. INCHES	A58 1004

JERMYN INDUSTRIES VESTRY ESTATE, OTFORD, NR. SEVENOAKS, KENT.