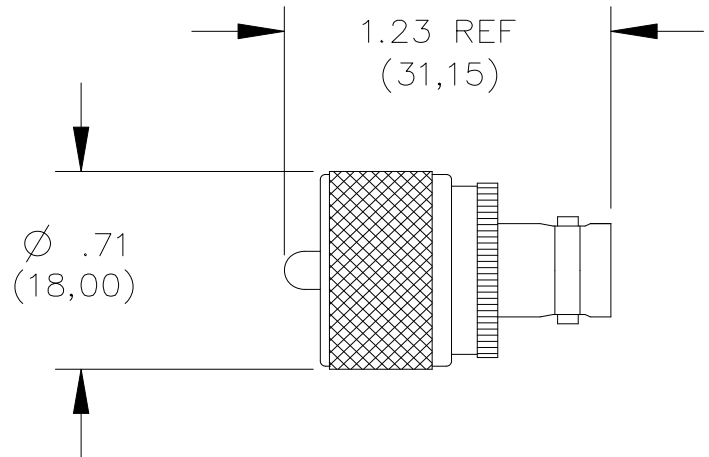


**Model 3286**  
**Adapter, BNC (Female) to UHF (Male)**

**Model 3286**  
**Adapter, BNC (Female) to UHF (Male)**



## Materials

Body and Fittings – Brass, Tarnish Resistant Plating, Center Contact – Gold Plated Brass  
Dielectric: PTFE

## Ratings

Voltage: For *CE Compliance* and for personal safety, do not hold in hand when voltages exceed 33 Vrms/70 Vdc.  
Maximum voltage for *hands free use*: 500 Vrms Max.

Operating Temperature: -55°C (-67°F) to +85°C (185°F)

Nominal Impedance: 50 Ohms

## Ordering Information

Model: 3286

**USA:** Sales: 800-490-2361  
Technical Support: [technicalsupport@pomonatest.com](mailto:technicalsupport@pomonatest.com)  
Fax: 425-446-5844

**Europe:** 31-(0) 40 2675 150 **International:** 425-446-5500

**Where to Buy:** [www.pomonaelectronics.com](http://www.pomonaelectronics.com)

All dimensions are in inches. Tolerances (except noted): .xx =  $\pm .02$ " (.51 mm),  
.xxx =  $\pm .005$ " (.127 mm). All specifications are to the latest revisions.  
Specifications are subject to change without notice. Registered trademarks are  
the property of their respective companies.